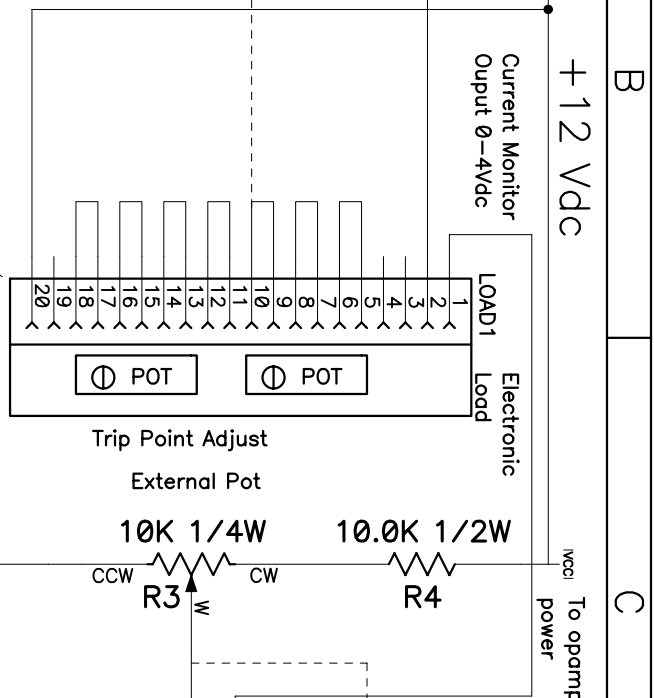
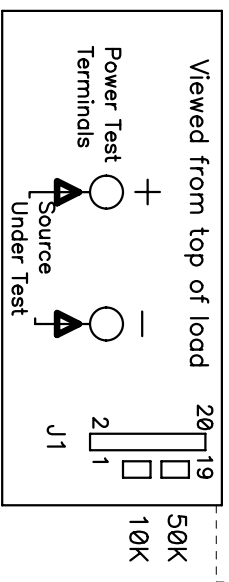
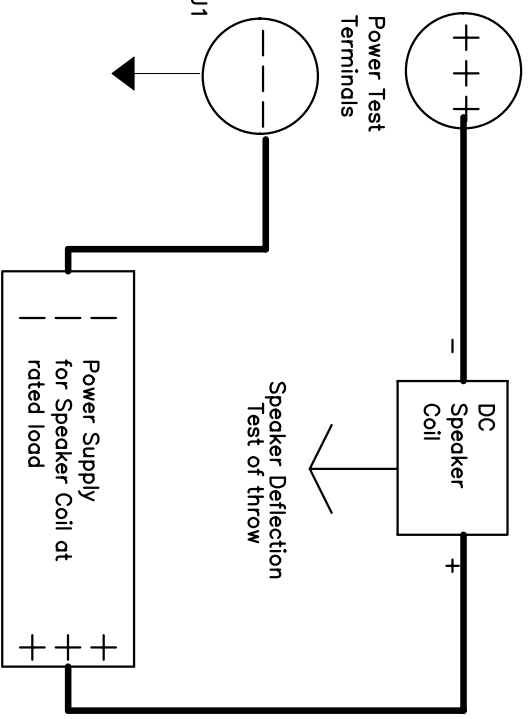


Connector shown from top view.
Pins shown as seen on electronic load.

Note J1 - Pin 2 and the (-) source under test are connected, never have current flowing through this path. All control signals should be connected to J1-pin 2. Only the source under test should be connected to the power test terminal (+) and (-).



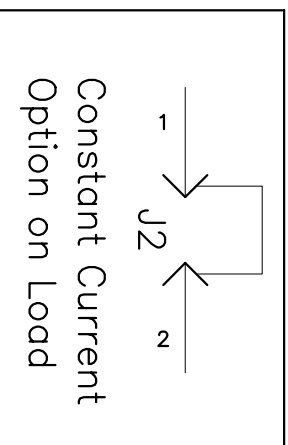
#10 GA wire to reduce IR Drop



Scaled output of current
0-100% = 0-4Vdc

Optional D to A Input
0-5 Vdc

Optional historesis resistor
J2 open for Constant Current
Load must have option 2



[Http://www.EXEC-ENG.com](http://www.EXEC-ENG.com)

Executive Engineering

Speaker Coil Through Tester for Manufacturing
This is a go / no-go tester using a fixed source

Title: Speaker Coil Control

Size	Number	Rev
A	301/151 Series Loads	1
Date	Mon Sep 20, 2004	Drawn by dw
Filename	speaker-coil.SCH	Sheet 1 of 1