

+12 Vdc @ 200ma
from bias power supply

4.7K 1/8W 1%
R3

CR1
5.1 V 1/4 W 5%

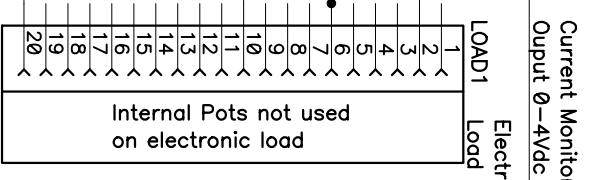
C3
0.1 uF 25V

10K 1/4W
R5

GNDANALOG
Analog / Bias Return

External Current Pot
Constant Current

+12 Vdc



R1
100K 1/8W 1%

C2 Optional
0.1 uF 25V

R2
See Table / Type

GNDANALOG
External Timing / Slew capacitor

C1
TBD

External Display
LCD Display 3.5 Digit
200mV Input = Full Scale

R2 = 2.5K 1/8W 1% for EE30180A (0-80 Amps)
R2 = 1.1K 1/8W 1% for EE30140A (0-40 Amps)
R2 = 1.1K 1/8W 1% for EE15140A (0-40 Amps)
R2 = 0.52K 1/8W 1% for EE15120A (0-20 Amps)
Table / Type

External LCD
Isolated Power

[Http://www.EXEC-ENG.com](http://www.EXEC-ENG.com)

Executive Engineering

Schematic is show with external slew capacitor

Title LCD Displaying Current from EL. CC Mode

Size	Number	Rev
A	301/151 Remote Control	1

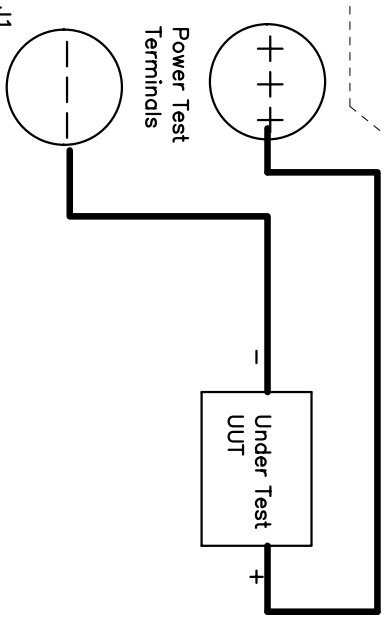
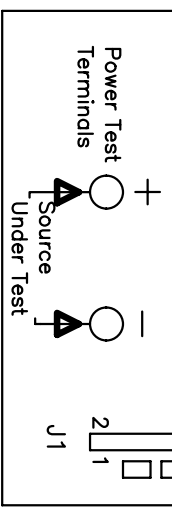
Date	Mon Sep 20, 2004	Drawn by	dw
Filename	LCDC.CSCH	Sheet	1 of 1

Connector shown from top view.
Pins shown as seen on electronic load.

Note J1 - Pin 2 and the (-) source under test are connected, never have current flowing through this path. All control signals should be connected to J1-pin 2.
Only the source under test should be connected to the power test terminal (+) and (-).

Viewed from top of load

50K
10K



A

B

C

D

4

3

2

1