

To opamp power from bias power supply

+12 Vdc @ 200ma
4.7K 1/8W 1%
R3

Current Monitor
Output 0-4Vdc
LOAD1

100K 1/8W 1%
R1

External Display Voltage
LCD Display 3.5 Digit
200mV Input = Full Scale

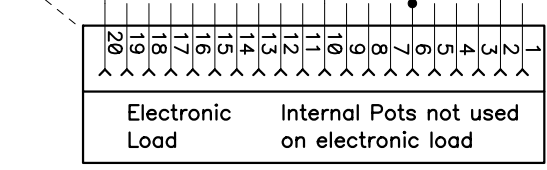
CR1
5.1 V 1/4 W 5%

C3
0.1 uF 25V

10K 1/4W
R5

GNDANALOG
External Analog / Bias Return

External Current Pot
Constant Current



GNDANALOG
External Timing / Slew capacitor

C2
0.1 uF 25V
C2 Optional

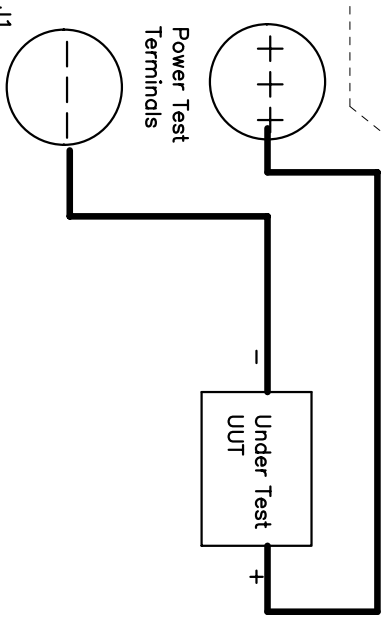
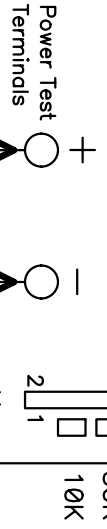
R2
See Table / Type

R2 = 1.01K 1/8W 1%
for
EE30180A
EE30140A
EE15140A
EE15120A
(0-50 Volts)
R2 = 3.09K 1/8W 1%
for
EE30181A
EE30141A
EE15141A
EE15121A
(0-150 Volts)
Table / Type

Connector shown from top view.
Pins shown as seen on electronic load.

Note J1 - Pin 2 and the (-) source under test are connected, never have current flowing through this path. All control signals should be connected to J1-pin 2.
Only the source under test should be connected to the power test terminal (+) and (-).

Viewed from top of load



External LCD
Isolated Power

[Http://www.EXEC-ENG.com](http://www.EXEC-ENG.com)

Executive Engineering

Schematic is show with external slew capacitor

Title LCD Displaying Voltage from EL. CC Mode

Size	Number	Rev
A	301/151 Remote Control	1

Date	Mon Sep 20, 2004	Drawn by	dw
Filename	LCDV50.SCH	Sheet	1 of 1